

ROTONDA ASYMMETRIC

Decorative LED Luminaire

SCHMITZ®

FEATURES

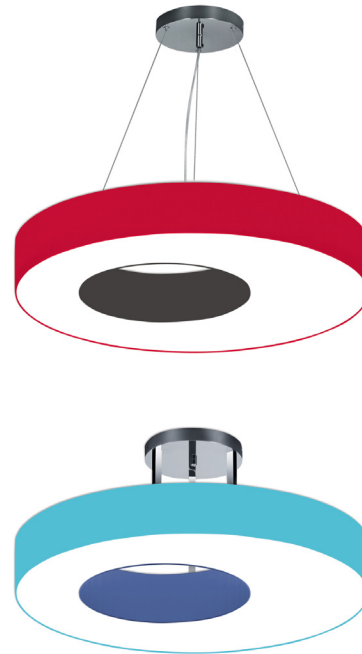
- Designed in Germany, assembled in USA
- Decorative luminaire series with multiple shade options
- 30 standard shade colors
- Ring colors for the outside and inside can be mixed and matched - 900 color combinations
- Mounting options include surface, stem, suspension

DESCRIPTION

First impressions count, and ROTONDA in a foyer or conference room certainly provides that desired impact. The ROTONDA product family is at home in even the largest of rooms, thanks to its voluminous fabric shades in variety of different sizes. Whether as a group, or an individual feature, whether elegantly colored or strikingly bold, ROTONDA makes a strong statement.

Colored fabrics harmonize with each other. Thirty lamp shade colors are available as standard. All standard colors may be freely combined depending on the basic form, i.e. to match your corporate design. Customized versions with special colors and other fabrics can be made to order.

Shade and luminaire are ordered separately.



ORDERING INFORMATION

LUMINAIRE						
MODEL	DIAMETER	MOUNTING	CRI	CCT	CONTROL	VOLTAGE
RAS Rotonda Asymmetric	650 650mm 26"	SF Surface	80 80 CRI	27K 2700K	ON-OFF On-Off	UNV 120-277v
	780 780mm 31"	ST Stem	90 90 CRI	30K 3000K	DIM 0-10v Dimming	
	1000 1000mm 39"	SP Suspended		35K 3500K 40K 4000K		

SHADE			
DESIGN	DIAMETER	OUTSIDE COLOR	INSIDE COLOR
RSH-AS Asymmetric Shade - 4½" Height	650 650mm 26"	SEE CHART Page 3	SEE CHART Page 3
	780 780mm 31"		
	1000 1000mm 39"		

ROTONDA ASYMMETRIC

Decorative LED Luminaire

SCHMITZ®

		RAS-650	RAS-780	RAS-1000
PHYSICAL	HOUSING	Single Piece Aluminum		
	SHADE	"Chintz" (Velvet/Rayon) Fabric Over Fine Matte Translucent Polycarbonate Film		
	DIMENSIONS	25 $\frac{1}{16}$ ", 30 $\frac{1}{16}$ ", or 39 $\frac{3}{16}$ " Diameter x 3 $\frac{1}{2}$ " Width		
	WEIGHT (pounds)	SURFACE: 6.8 STEM: 9.0 SUSPENDED: 8.8	SURFACE: 9.0 STEM: 11.4 SUSPENDED: 11.2	SURFACE: 11.9 STEM: 14.7 SUSPENDED: 14.1

ELECTRICAL	POWER (watts)	45	57	69
	CURRENT	0.38 amps at 120 volts 0.16 amps at 277 volts	0.48 amps at 120 volts 0.21 amps at 277 volts	0.58 amps at 120 volts 0.25 amps at 277 volts
	CONTROL	On/Off or 0-10V Dimming		

PHOTOMETRIC	LED	Static White 2700K, 3000K, 3500K, or 4000K		
	COLOR RENDERING INDEX	80 or 90		
	DISTRIBUTION	79% Direct; 21% Indirect		
	BEAM ANGLE	136°		
	LUMEN MAINTENANCE	L70 > 50,000 Hours at 77°F*		

LIGHT DISTRIBUTIONS	LUMINAIRE	LUMEN OUTPUT	EFFICACY (lm/w)
	RAS-650	4040	90
	RAS-780	5170	91
	RAS-1000	6300	91

Values based on full output.

CERTIFICATIONS	SAFETY	CSA Certified for Damp Locations
	INGRESS PROTECTION	IP20

ROTONDA ASYMMETRIC

Decorative LED Luminaire

SCHMITZ®

SHADE COLOR OPTIONS

Swatches available upon request.



LI
Limestone Grey



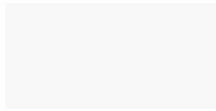
UG
Urban Grey



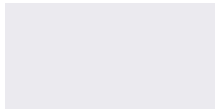
MA
Maron



CA
Coffee



PW
Pure White



PG
Platinum Grey



CG
Carbon Grey



PB
Pure Black



CW
Classic White



NW
Natural White



LB
Light Beige



EB
Elegant Beige



DB
Dark Beige



SA
Sand



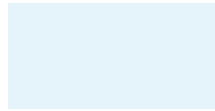
PR
Purple Rain



MB
Marina Blue



RB
Royal Blue



LBL
Light Blue



CB
Caribbean Blue



CR
Classic Red



LR
Royal Red



BR
Bordeaux Red



RR
Racing Red



FP
Fresh Pink



LP
Light Pink



PO
Poppy Orange



FO
Fresh Orange



LG
Lime Green



FG
Fresh Green



LM
Lemon

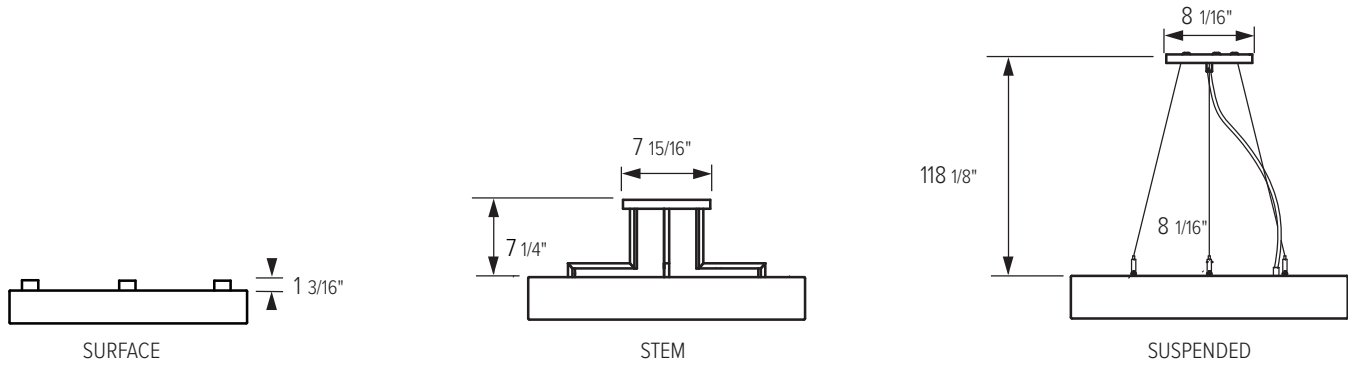
ROTONDA ASYMMETRIC

Decorative LED Luminaire

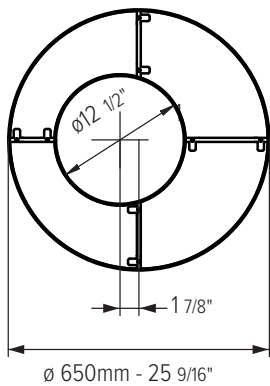
SCHMITZ®

DIMENSIONS

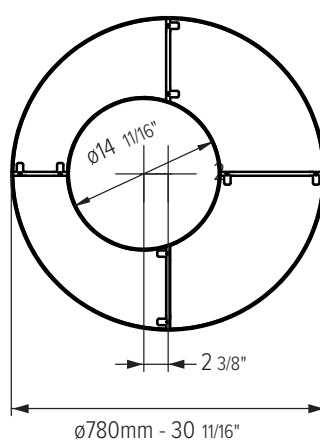
All dimensions are shown in inches unless otherwise noted.



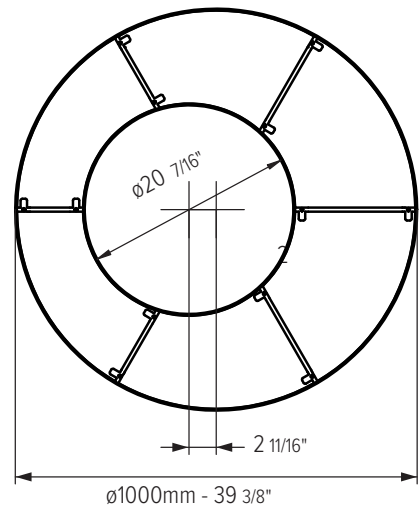
RAS-650 / RSH-AS-650



RAS-780 / RSH-AS-780



RAS-1000 / RSH-AS-1000



ROTONDA ASYMMETRIC

Decorative LED Luminaire

SCHMITZ®

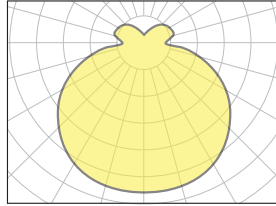
PHOTOMETRICS

RAS-650

RAS-650-830_RSH-AS-650-PW-PW

Beam (Degrees)	136
Spacing Criterion	1.40
Direct Component	3,178
Indirect Component	862
Total Lumens	4,040

UGR (70/50/20; X=4H, Y=8H) 18.3

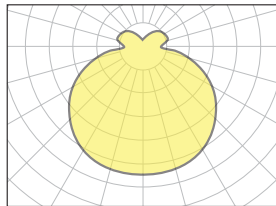


RAS-780

RAS-780-830_RSH-AS-780-PW-PW

Beam (Degrees)	136
Spacing Criterion	1.40
Direct Component	4,067
Indirect Component	1,103
Total Lumens	5,170

UGR (70/50/20; X=4H, Y=8H) 18.1



RAS-1000

RAS-1000-830_RSH-AS-1000-PW-PW

Beam (Degrees)	136
Spacing Criterion	1.40
Direct Component	4,956
Indirect Component	1,344
Total Lumens	6,300

UGR (70/50/20; X=4H, Y=8H) 17.4

