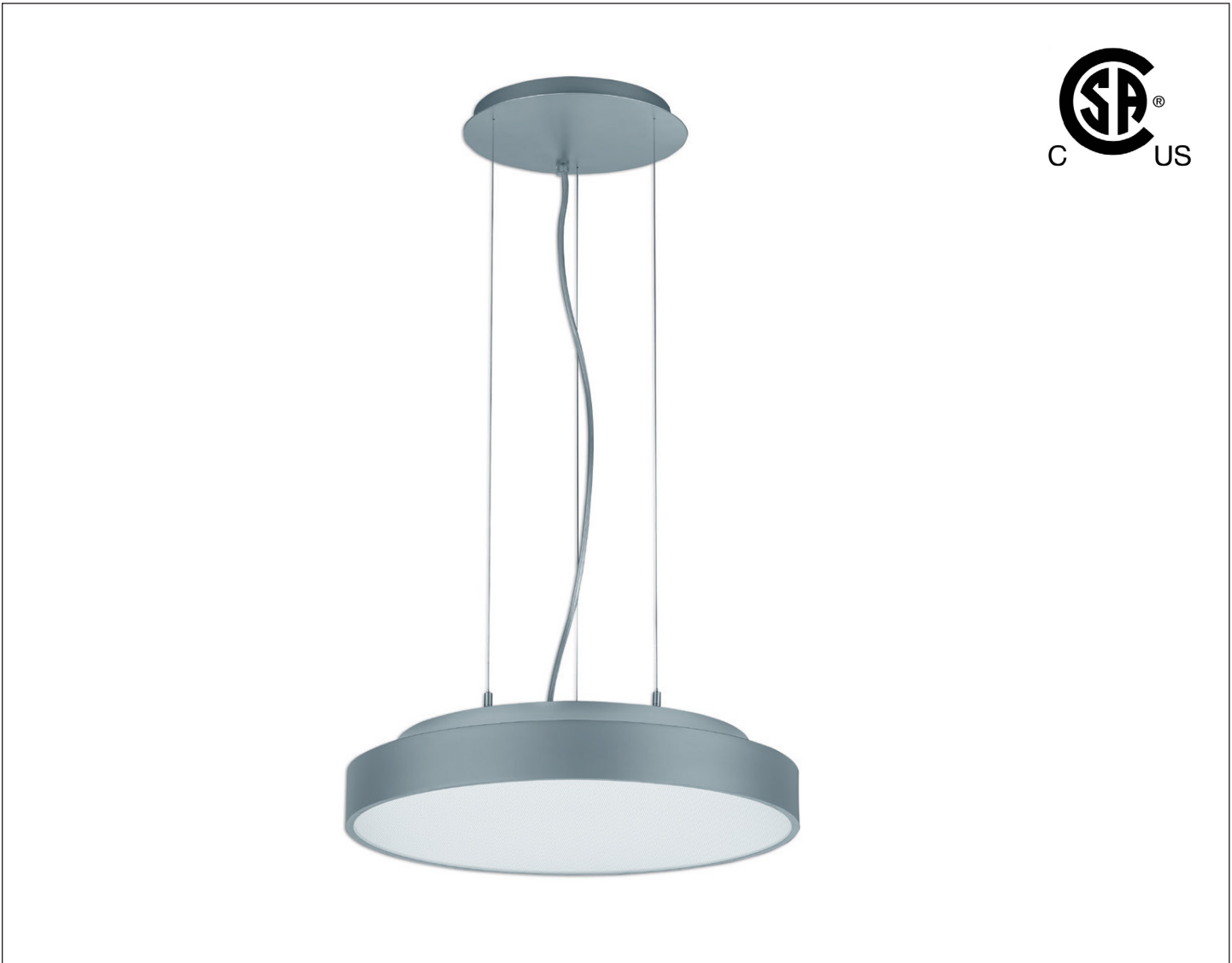


# CLEAR PENDANT

Suspended LED Luminaire

# SCHMITZ



## SAVE THESE INSTRUCTIONS

### GENERAL PRODUCT INFORMATION

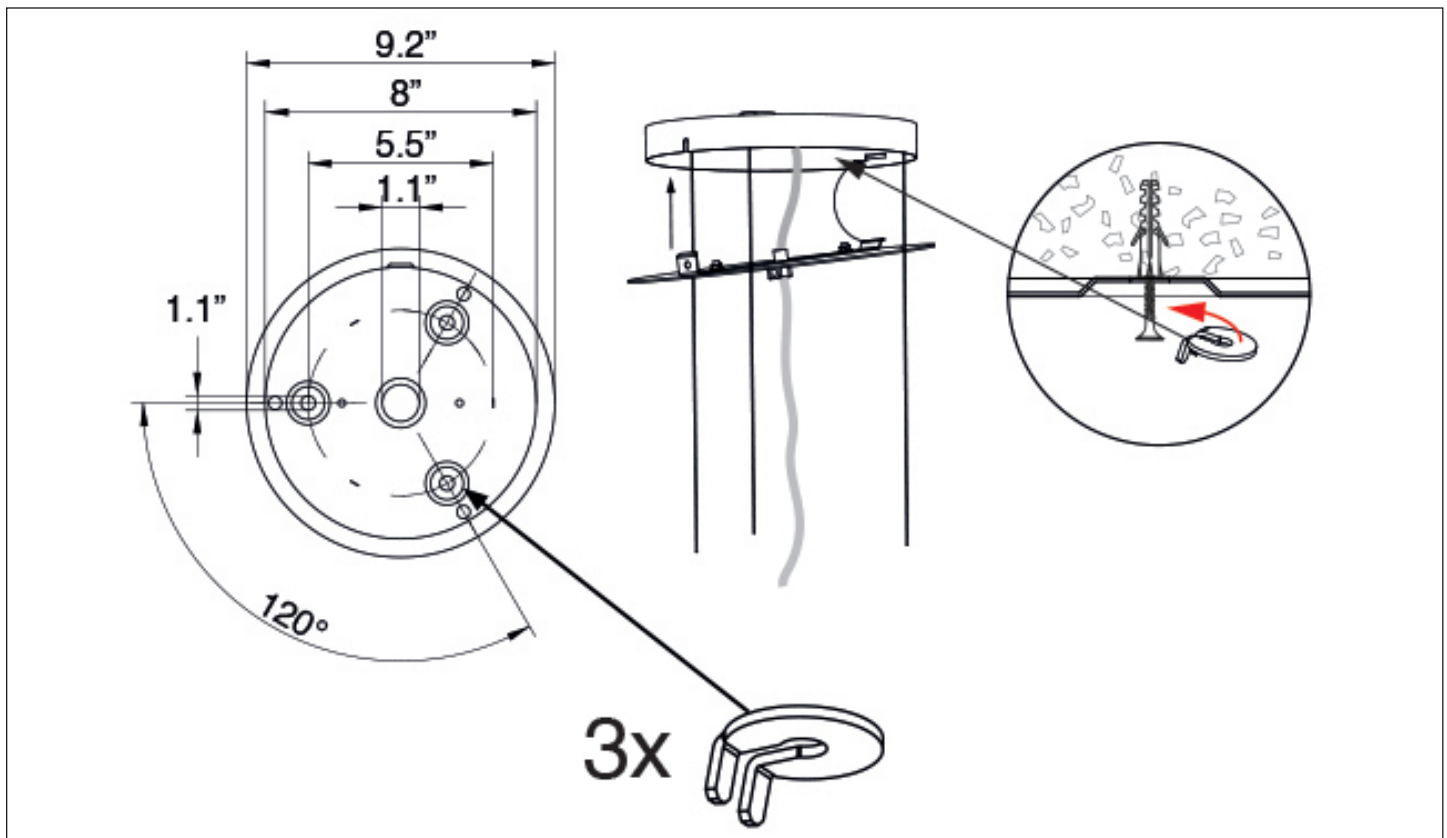
This product is suitable for damp locations.  
This instruction shows a typical installation.

**CAUTION - RISK OF FIRE**  
This product should be installed in accordance with local codes and should be installed by a certified electrician.

# CLEAR PENDANT

Suspended LED Luminaire

# SCHMITZ



**MAKE SURE POWER IS OFF** before making any electrical connections.

- Be sure to connect fixtures in accordance with local electrical codes.
- Before mounting canopy housing to ceiling junction wires will need to be pulled through into canopy to make all power or control connections.

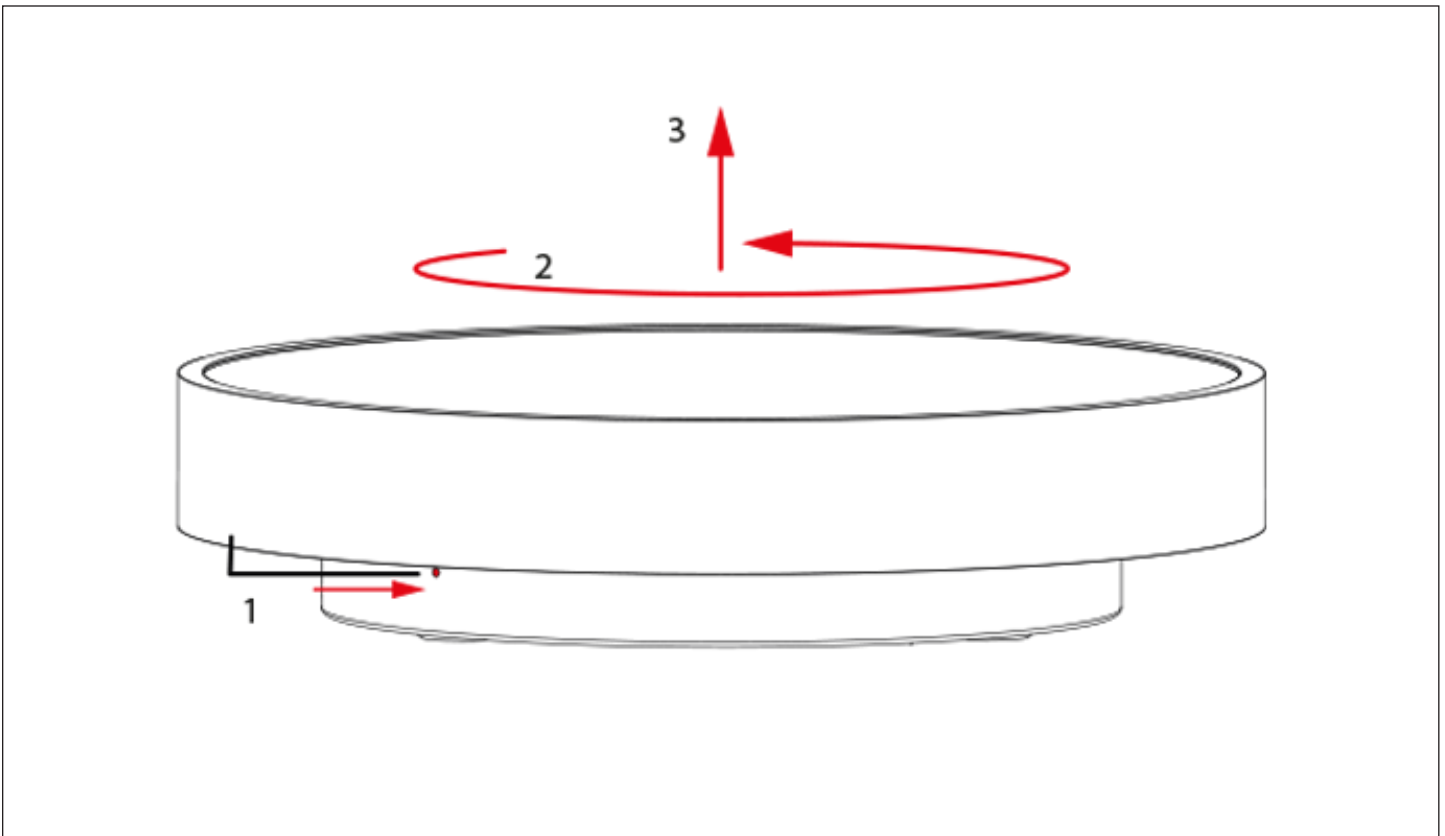
## Mounting the canopy kit

1. Align canopy housing into desired position and mark the 3 mounting stand off locations on the ceiling.
2. Using appropriate screws, mount canopy to ceiling. Note: If needed, use drywall anchors to properly secure canopy housing to ceiling.
3. Connect fixture to a suitable ground in accordance with electrical codes.
4. Connect the white wire from the power drop cable to the neutral power line wire with wire nut.
5. Connect the black wire from the power drop cable to the hot power line wire with wire nut.
6. If using 0-10V dimming, connect the violet (DIM+) and gray (DIM-) wires to a compatible 0-10V dimmer. If no dimming is needed, make sure to cap violet and gray wires to prevent unwanted short.
7. After connections are made, tuck wires safely into canopy, then align canopy cover back over the housing and tighten the side screw.

# CLEAR PENDANT

Suspended LED Luminaire

# SCHMITZ

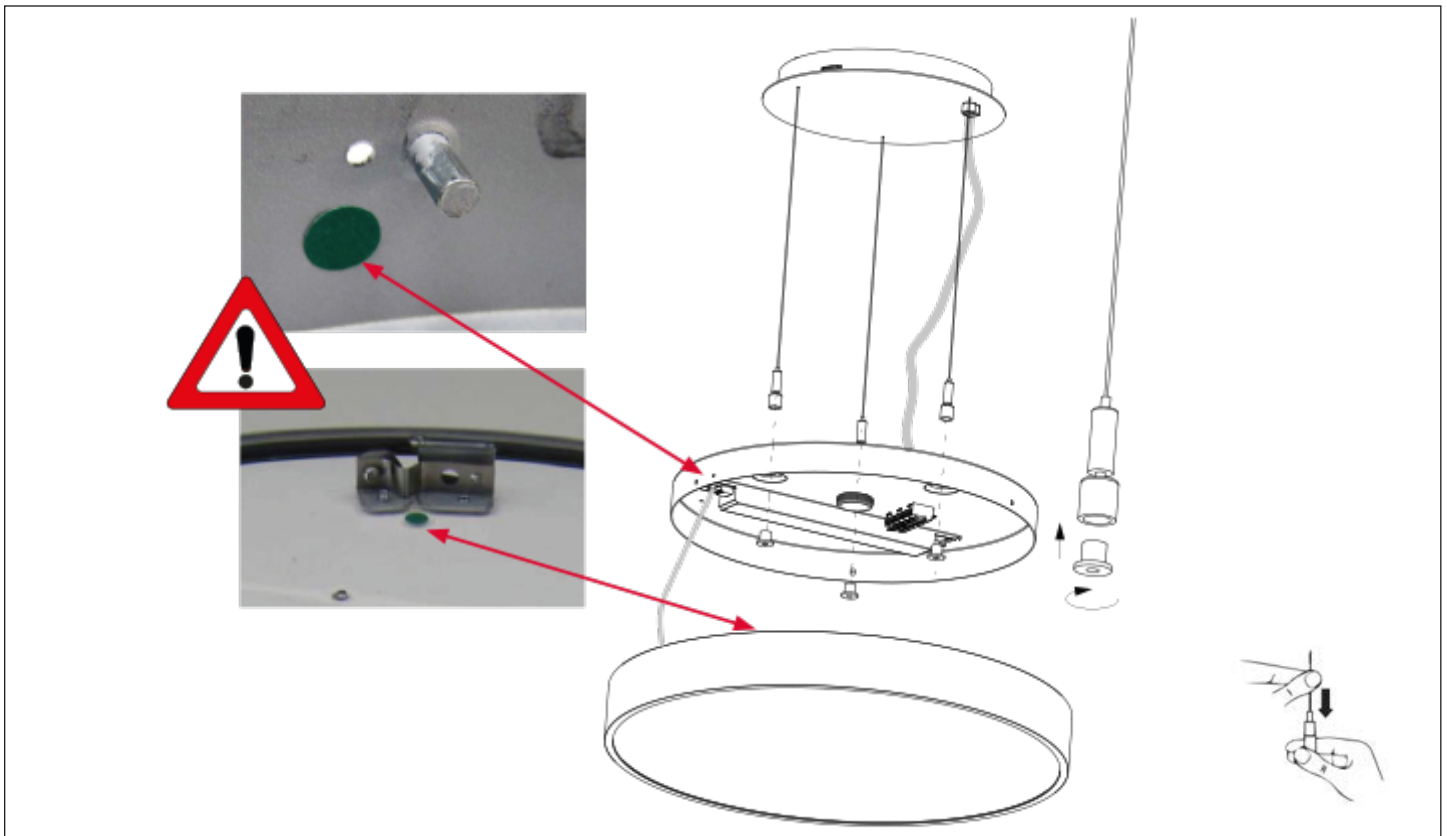


8. Separate fixture driver housing cover and main fixture housing by inserting small allen key through side hole to apply pressure on locking spring.
9. Twist cover counter clockwise to open. **NOTE: Be sure to put down protective material when trying to separate fixture housings to prevent any damage to lens or paint.**

# CLEAR PENDANT

Suspended LED Luminaire

# SCHMITZ



10. Connect the suspension points to the cover plate by screwing the base through the three standoff mounting locations on the top side of the driver housing cover.

11. Feed power drop from canopy through rubber port into the driver housing.

12. Connect the white wire from driver to the neutral power line wire with wire nut.

13. Connect the black wire from driver to the hot power line wire with wire nut.

14. If using 0-10V dimming, connect the violet (DIM+) and gray (DIM-) wires to a compatible 0-10V dimmer. If no dimming is needed, make sure to cap violet and gray wires to prevent unwanted short.

15. Connect low voltage plugs from driver/s to the plug/s coming from the fixture to complete wiring.

16. Once connections are made, driver housing cover can be aligned back onto main housing to twist and lock into position.

**NOTE: Be sure to align hole on side of housing cover to location of locking spring to prevent issues of reopening if needed.**

17. Adjust aircraft suspension cables to desired height by feeding into quick release on driver housing cover.

18. Restore power to fixture.