

ROTONDA ASYMMETRIC

Decorative LED Luminaire

SCHMITZ

FEATURES

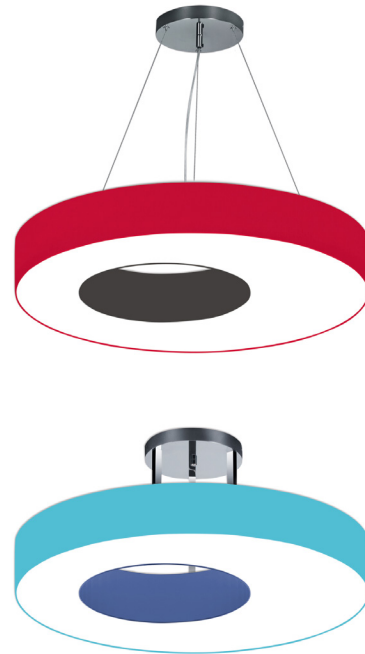
- Designed in Germany, assembled in USA.
- Decorative luminaire series with multiple shade options.
- 30 standard shade colors.
- Ring colors for the outside and inside can be mixed and matched - 900 color combinations!
- Mounting options include surface, stem, suspension.

DESCRIPTION

First impressions count, and ROTONDA in a foyer or conference room certainly provides that desired impact. The ROTONDA product family is at home in even the largest of rooms, thanks to its voluminous fabric shades in variety of different sizes. Whether as a group, or an individual feature, whether elegantly colored or strikingly bold, ROTONDA makes a strong statement.

Colored fabrics harmonize with each other. Thirty lamp shade colors are available as standard. All standard colors may be freely combined depending on the basic form, i.e. to match your corporate design. Customized versions with special colors and other fabrics can be made to order.

Shade and luminaire are ordered separately.



ORDERING INFORMATION

LUMINAIRE					
SERIES	DIAMETER	CRI / CCT	MOUNTING	VOLTAGE	DRIVER / CONTROL
RAS ROTONDA ASYMMETRIC	650 650mm 26"	827 80 CRI 2700K	SF Surface	UNV UNIVERSAL 120 / 277	ND Non-Dim
	780 780mm 31"	830 80 CRI 3000K	ST Stem		DA ANALOG 0-10V
	1000 1000mm 39"	835 80 CRI 3500K	SP Suspended		RPS Remote Power Supply / Driver
		840 80 CRI 4000K			

SHADE			
DESIGN	DIAMETER	OUTSIDE COLOR	INSIDE COLOR
RSH-AS Asymmetric Shade - 4 1/2" High	650 650mm 26"	SEE CHART Page 3	SEE CHART Page 3
	780 780mm 31"		
	1000 1000mm 39"		

ROTONDA ASYMMETRIC

Decorative LED Luminaire

SCHMITZ

PRODUCT SPECIFICATIONS

HOUSING	Single piece aluminum with integral driver
LUMINAIRE SHADE	“Chintz” (Velvet/Rayon) fabric over fine matt translucent polycarbonate film
SHADE DESIGNS	AS = 4 ½" Height
MOUNTING	Surface / Stem / Suspended
CORRELATED COLOR TEMPERATURE	2700K, 3000K, 3500K, 4000K
COLOR RENDERING INDEX	RA > 80 3 SDCM
R9 VALUE	10
DRIVER	Non-dim; Analog 0-10V; Dimming Range to 1%
INPUT WATTS	650mm 45W 780mm 57W 1000mm 69W
LUMEN MAINTENANCE	L70 50,000 hrs
DISTRIBUTION	79% Direct 21% Indirect
CERTIFICATION	CSA / US certified for Damp Locations 
INGRESS PROTECTION	IP20

WEIGHT	
650	Surface 6.8 lbs Stem 9.0 lbs Suspended 8.8 lbs
780	Surface 9.0 lbs Stem 11.4 lbs Suspended 11.2 lbs
1000	Surface 11.9 lbs Stem 14.7 lbs Suspended 14.1 lbs

ROTONDA ASYMMETRIC

Decorative LED Luminaire

SCHMITZ

SHADE COLOR OPTIONS

Swatches available upon request.



LI
Limestone Grey



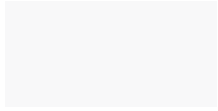
UG
Urban Grey



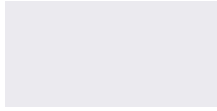
MA
Maron



CA
Coffee



PW
Pure White



PG
Platinum Grey



CG
Carbon Grey



PB
Pure Black



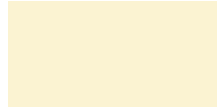
CW
Classic White



NW
Natural White



LB
Light Beige



EB
Elegant Beige



DB
Dark Beige



SA
Sand



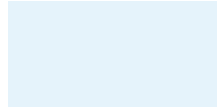
PR
Purple Rain



MB
Marina Blue



RB
Royal Blue



LBL
Light Blue



CB
Caribbean Blue



CR
Classic Red



LR
Royal Red



BR
Bordeaux Red



RR
Racing Red



FP
Fresh Pink



LP
Light Pink



PO
Poppy Orange



FO
Fresh Orange



LG
Lime Green



FG
Fresh Green



LM
Lemon

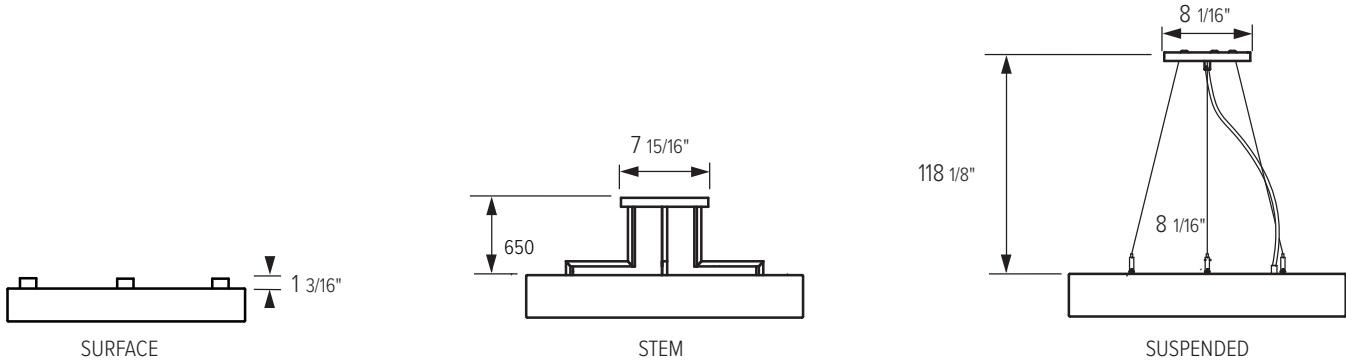
ROTONDA ASYMMETRIC

Decorative LED Luminaire

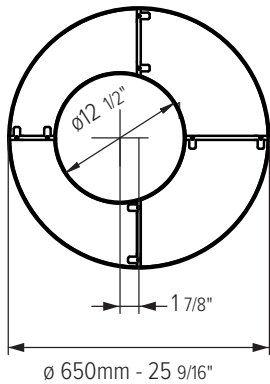
SCHMITZ

DIMENSIONS

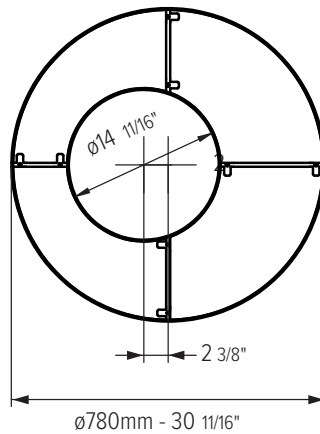
All dimensions are shown in inches unless otherwise noted.



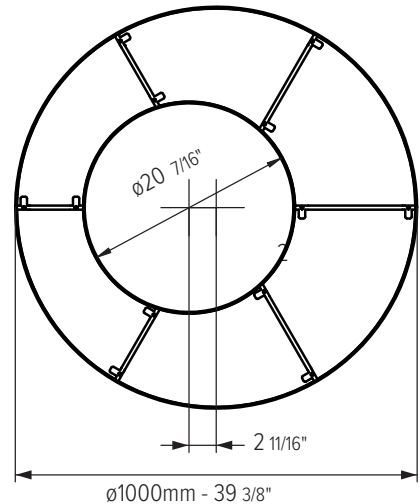
RAS-650 / RSH-AS-650



RAS-780 / RSH-AS-780



RAS-1000 / RSH-AS-1000



ROTONDA ASYMMETRIC

Decorative LED Luminaire

SCHMITZ

PHOTOMETRICS

650

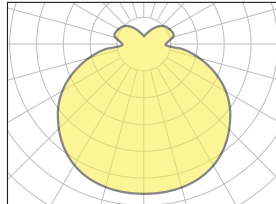
PHOTOMETRIC FILENAME

RAS-650-830_RSH-AS-650-PW-PW

Beam (Degrees)	136
Spacing Criterion	1.40
Direct Component	3,178
Indirect Component	862

Total Lumens 4,040

UGR (70/50/20; X=4H, Y=8H) 18.3



780

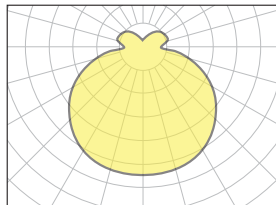
PHOTOMETRIC FILENAME

RAS-780-830_RSH-AS-780-PW-PW

Beam (Degrees)	136
Spacing Criterion	1.40
Direct Component	4,067
Indirect Component	1,103

Total Lumens 5,170

UGR (70/50/20; X=4H, Y=8H) 18.1



1000

PHOTOMETRIC FILENAME

RAS-1000-830_RSH-AS-1000-PW-PW

Beam (Degrees)	136
Spacing Criterion	1.40
Direct Component	4,956
Indirect Component	1,344

Total Lumens 6,300

UGR (70/50/20; X=4H, Y=8H) 17.4

